

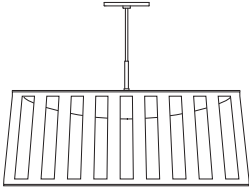
Pablo®

SOLIS DRUM

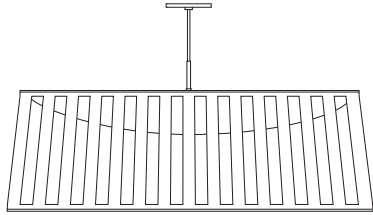
120/240V ASSEMBLY & INSTALLATION INSTRUCTIONS



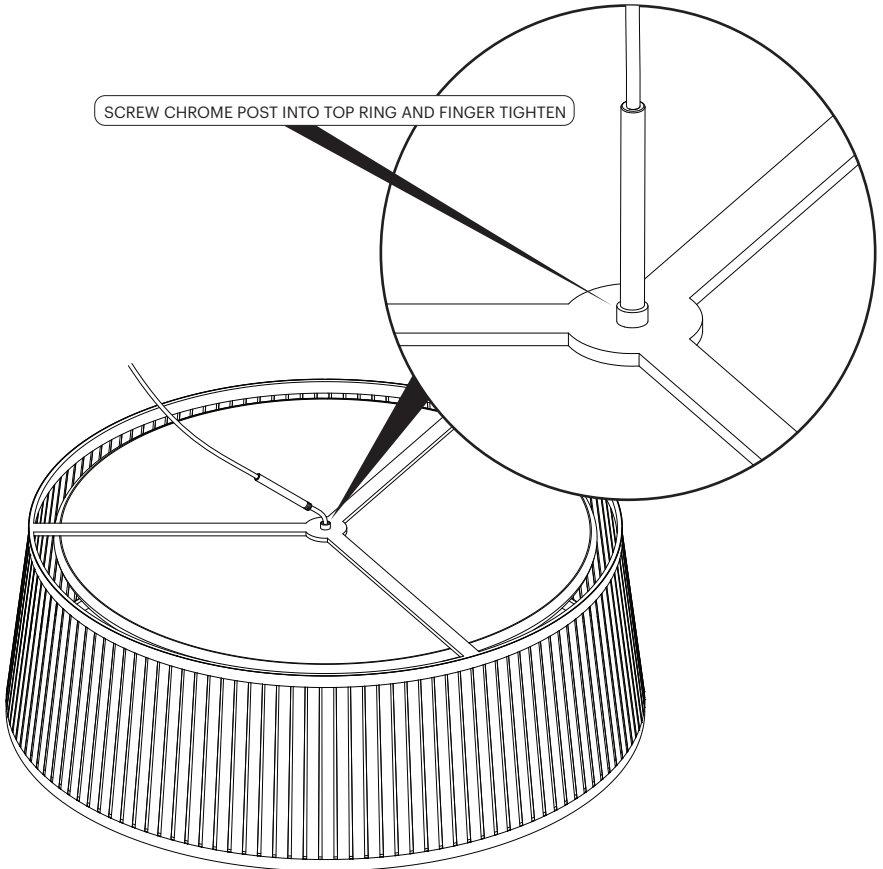
SOLIS DRUM



24" SOLIS DRUM



36" SOLIS DRUM



SOLIS DRUM

1. ROUTE CORD THROUGH COVER, CEILING MOUNT AND STRAIN RELIEF
2. SET STRAIN RELIEF TO DESIRED HEIGHT AND CUT CORD
3. CONNECT TO BUILDING WIRING USING INCLUDED CORD NUTS
4. SCREW CEILING MOUNT TO JBOX USING INCLUDED SCREWS
5. SLIDE COVER UP TO CEILING, MAGNETS ON COVER WILL SNAP TO THE CEILING MOUNT

NOTE: BEFORE CUTTING, WRAP CORD WITH ELECTRICAL TAPE TO PREVENT THE FABRIC SLEEVE FROM FRAYING

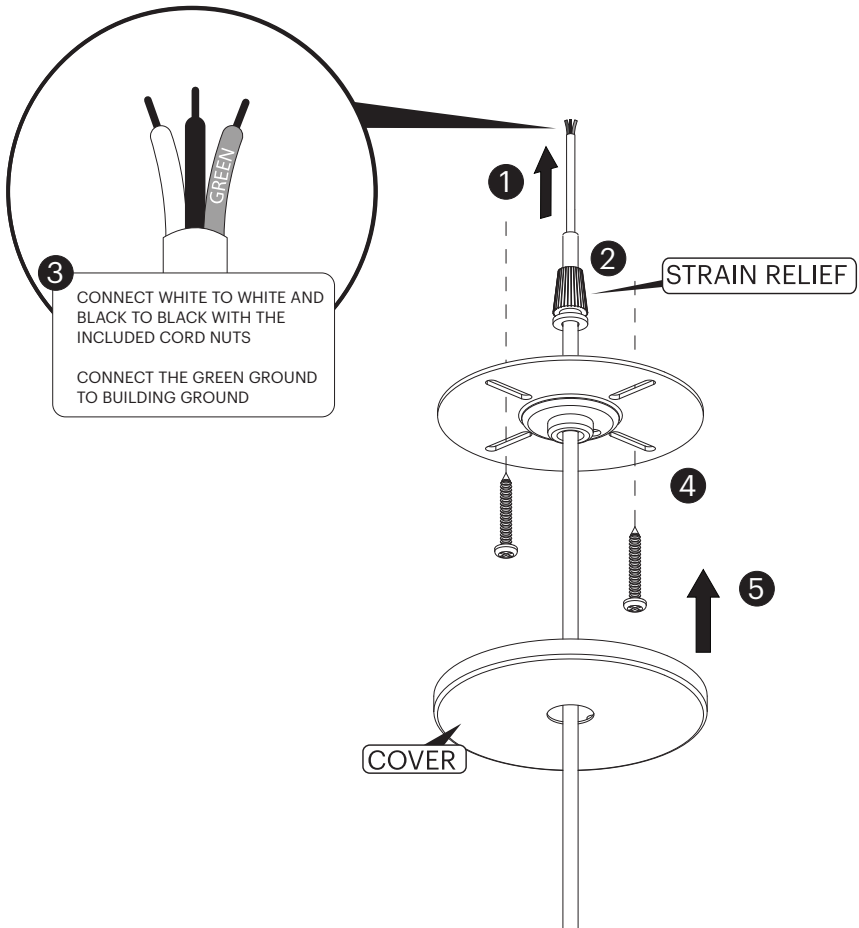
BULB TYPE
HIGH POWERED LED ARRAY

LENGTH OF CORD SUPPLIED
20FT (610CM)

CARE INSTRUCTIONS
WIPE CLEAN WITH A SOFT DAMP CLOTH.
AVOID AMMONIA-BASED CLEANERS.

FLUSH MOUNTED OPTION AVAILABLE
UPON REQUEST

**IMPORTANT: WE RECOMMEND FIXTURE
BE INSTALLED BY AN ELECTRICIAN**



Pablo®

SOLIS DRUM

120/240V ASSEMBLY & INSTALLATION INSTRUCTIONS

INFO@PABLODESIGNS.COM
888 MARIN STREET
SAN FRANCISCO, CA
94124

PABLODESIGNS.COM