

mosso[®] pro

KONCEPT



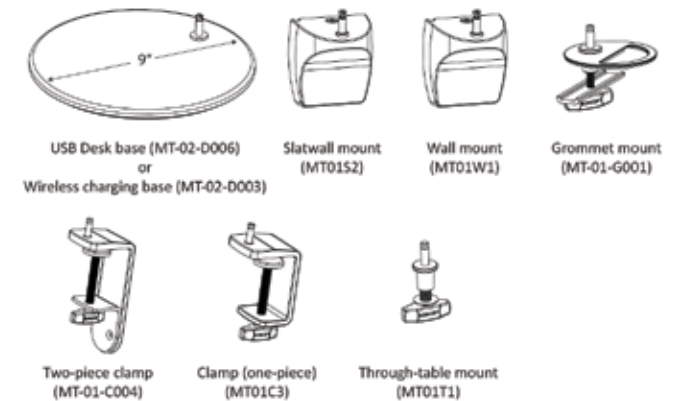
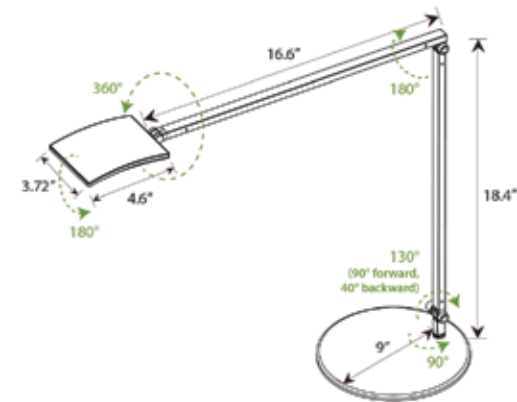
Delivering a phenomenal 99 lumens per watt efficiency, Mosso Pro changes light colors from warm to cool and anything in between. An intuitive built-in touchstrip allows for effortless continuous dimming. Built-in occupancy sensor ensures no energy is wasted lighting up a vacant desk. For smart phone enthusiasts, Mosso Pro comes standard with an USB port, or optionally a wireless charging base is available for recharging Qi-compatible mobile devices. With Mosso Pro, anything is possible.

2013 Best of NeoCon GOLD
2014 Next Generation Luminaires "Best in Class"

Lumens:	540
Energy Consumption:	5.5 watts
Number of LEDs:	48 LEDs
LED Rated Lifespan:	50,000 hours
Color Temperature:	Variable from 2,700K to 5,000 K
Color Rendering Index (CRI):	83
Dimmer:	Built-in touchstrip
Brightness Adjustability:	Continuous
Occupancy Sensor:	Built-in
Standard Color Finish*:	Metallic Black, Silver
Material:	Aluminum/Plastic
Cord Color:	Black
Cord Length:	10'
Transformer (100-240 V; 50/60 Hz):	Included - C-UL-US Certified
Maximum Brightness (15" above desk):	103 fc

- AR2001-_____
- MBK = Metallic Black
 - SIL = Silver
 - USB = USB Desk Base
 - CLP = Clamp (One-Piece)
 - 2CL = Two-Piece Clamp
 - SLT = Slatwall Mount
 - WAL = Wall Mount
 - GRM = Grommet Mount
 - THR = Through-table Mount
 - QCB* = Wireless Charging Base*

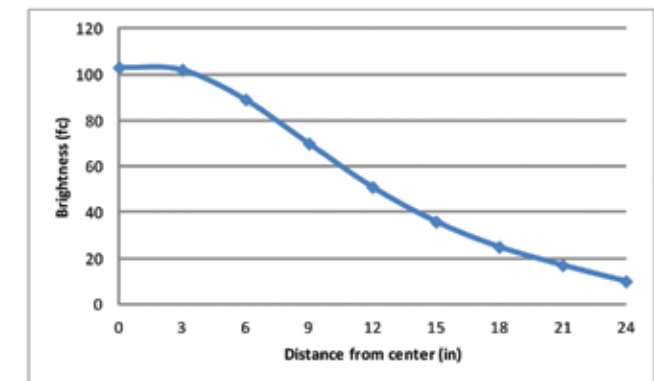
*Custom colors are available at additional cost. Contact Koncept or your sales representative for a quote.



Potential LEED Points:

- Energy & Atmosphere (EA)**
Credit 1.1: Optimize Energy Performance
 LED lighting to reduce energy consumption.
 (Potential points: 3)
- Innovation In Design (ID)**
Credit 1.1- 1.4: Innovation in Design
 Mosso™ Pro delivers an outstanding 90+ lumens per watt for an LED desk lamp. Color temperature is variable from warm (3,500 K) to cool (5,000 K). An intuitive touchstrip allows for easy dimming and on/off.
 (Potential points: 4)
- Materials & Resources (MR)**
Credit 4.1: Recycled Content - 10%
 Lamps contain parts made out of 10% pre-consumer recycled content.
 (Potential points: 1)
Credit 4.2: Recycled Content - 20%
 Lamps contain parts made out of 20% pre-consumer recycled content.
 (Potential points: 2)

Light source placed at 15" away from worksurface



Lamp contains 38% preconsumer recycled material by weight*
 Aluminum housing is fully recyclable
 All color finishes use water-based paint

LEDs do not contain mercury

*in standard configuration (includes transformer and weighted base)